

# OPEL 1900, MANTA AND GT FRAME AND BODY MOUNTINGS

## CONTENTS

Subject	Page No.
DESCRIPTION AND OPERATION: (Not Applicable)	
DIAGNOSIS: (Not Applicable)	
MAINTENANCE AND ADJUSTMENTS: (Not Applicable)	
MAJOR REPAIR: (Not Applicable)	
SPECIFICATIONS:	
Frame and Body Mounting Specifications .....	2B-6

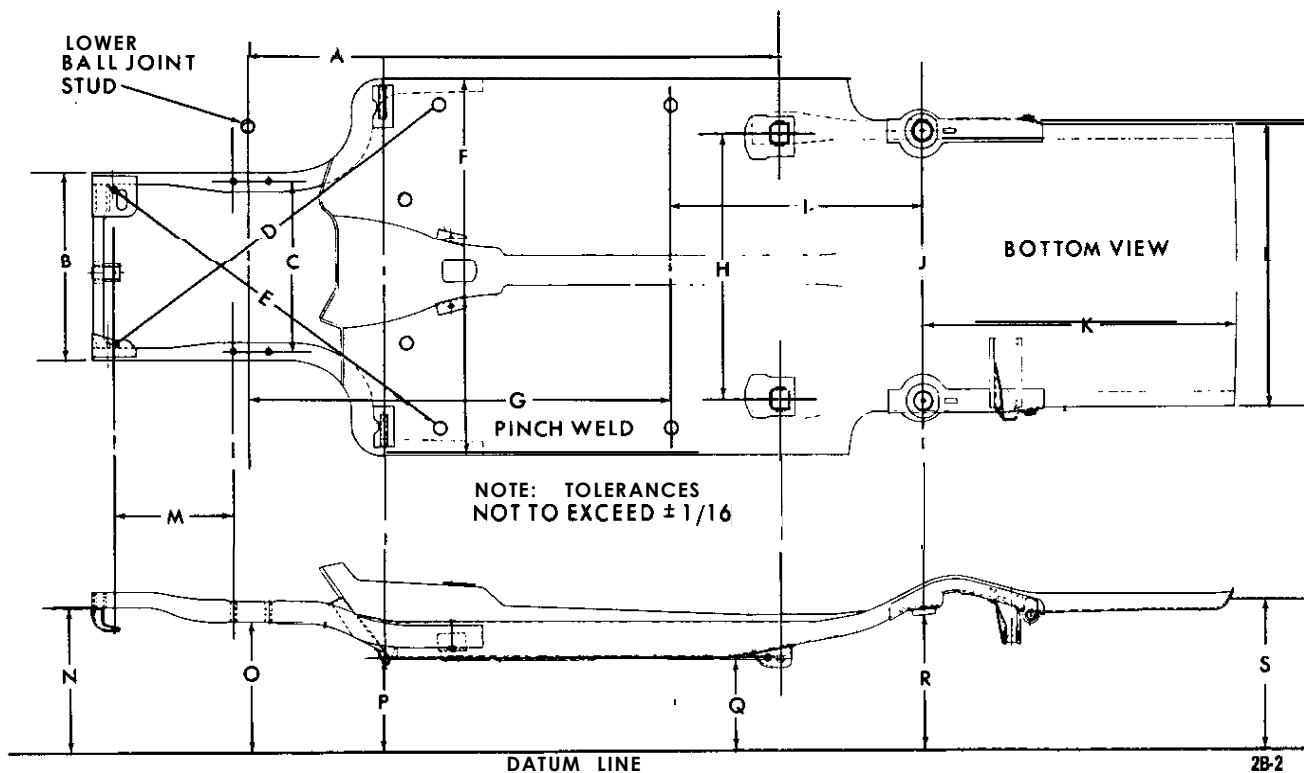


Figure 2B-2 GT Frame Details

GT FRAME MEASUREMENTS

A	72"	From centerline of lower ball joint stud to centerline of front lower arm bushing.
B	25-1/4"	Outside of left frame horn to outside of right frame horn.
C	22-3/4"	Centerline of front crossmember right attaching bolt holes to centerline of front crossmember left attaching bolt holes.
D	50-5/16"	From centerline of hole in radiator support to right front frame horn reinforcement to centerline of left front underbody drain hole.
E	50-5/16"	From centerline of hole in radiator support to left front frame horn reinforcement to centerline of right front underbody drain hole.
F	49-7/8"	From rear outside edge of right front frame rail to rear outside edge of left front frame rail.
G	59-1/8"	From centerline of lower ball joint stud to centerline of second side drain hole.
H	35-3/4"	Centerline of right lower control arm to centerline of left lower control arm.
I	32"	Centerline of second side underbody drain hole to centerline of rear spring seat.
J	36-1/8"	Centerline of right spring seat to centerline of left spring seat.
K	28-19/32"	Centerline of spring seat to bumper bracket bolt hole on outside of lower tail panel.
L	39-1/8"	Outside edge of right rear frame rail to outside edge of left rear frame rail.
M	15-7/8"	Centerline of radiator support bolt hole to centerline of front crossmember front attaching bolt holes.
N	12-2/32"	Lower edge of front frame horn to datum line.
O	10-3/4"	Frame rail mating surface for front crossmember to datum line.
P	6"	Front portion of underbody to datum line.
Q	6"	Rear portion of underbody to datum line.
R	11-5/16"	Center of spring seal to datum line.
S	16-1/4"	Centerline of rear bumper bracket to lower tail panel bolt to datum line.

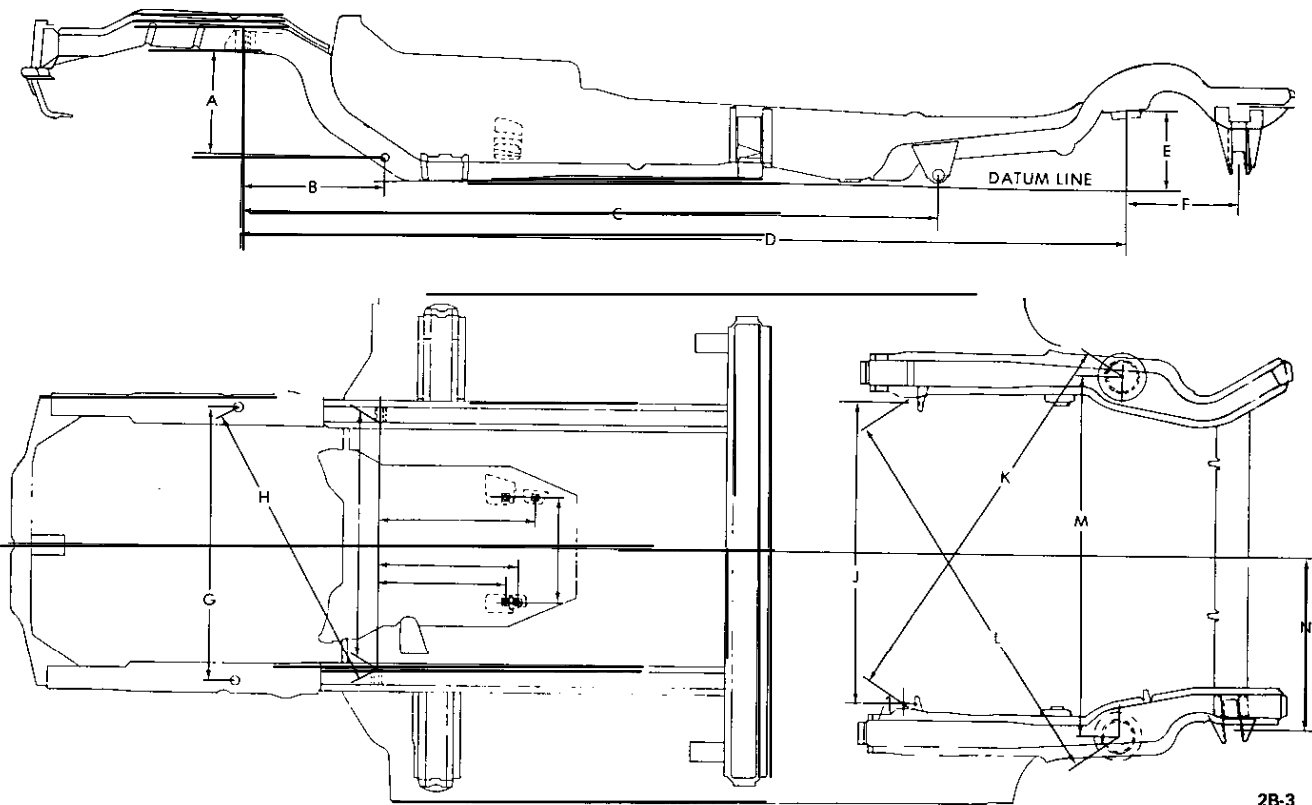


Figure 2B-3 Opel 1900 Manta Frame Details

1900 - MANTA 1900 - MANTA FRAME MEASUREMENTS

A	10-9/16"	Mating surface of frame rail to horizontal line from center of front crossmember to frame support bolt hole.
B	14-9/16"	Centerline of front crossmember attaching bolt hole to centerline of front crossmember to frame support bolt hole.
C	71-7/16"	Centerline of front crossmember attaching bolt hole to center of lower control arm to frame bolt hole.
D	90-1/2"	Centerline of front crossmember attaching bolt hole to center of rear spring seat.
E	8-3/16"	Rear spring seat to datum line.
F	11-5/8"	Center of spring seat to center of track rod to body attaching bolt hole.
G	27-9/16"	Centerline of front crossmember right attaching bolt hole to centerline of front crossmember left attaching bolt hole.
H	30"	Centerline of right front frame bolt hole to centerline of left front crossmember to frame support bolt hole (inboard side of frame rail).
I	24-3/4"	Distance between frame rails at front crossmember to frame support bolt holes.
J	30-9/16"	Centerline to centerline of torque tube support to frame bolt holes.
K-L	38-1/2"	Center of spring seat to center of torque tube support to frame bolt hole (inboard side of frame).
M	36-3/8"	Centerline of right spring seat to centerline of left spring seat.
N	17-5/16"	Centerline of car to centerline of track rod to body attaching bolt.